

INSTALLATION INSTRUCTIONS  
FOR THE  
MPC 501 COKE VENDER  
UPGRADE KIT

Part #: 95x58

530,050,400.14

This kit is designed to provide the parts required to bring early production 501 MPC Venders up to the performance standards of the venders being produced today. This kit is applicable only to 501 Coke Venders with a serial number having the following form: xxxx-3203 00.

## Kit contents:

## A. Preparation.

1. This kit will require the following tools:
  - a. 1 Phillips screwdriver with a 5 inch shaft.
  - b. 1 1/4 inch nut driver.
  - c. 1 Straight slot screwdriver with a 3 inch shaft.
2. Remove the electrical power to the vender.
3. Remove the coin changer.
4. Remove the control board cover.
5. If the vender is equipped with a bill validator remove the bill validator.

## B. Replacing the motor shields (Figure 1).

1. Remove the motor cover.
2. Remove and discard the motor shields and spacer rods. Save the screws removed in this step.
3. Install the new motor shields and spacer rods from the kit using the screws saved in Step 2.

**WARNING: BE SURE TO DRESS THE WIRE HARNESS THE WAY THEY WERE ASSURING THAT NO WIRES ARE PINCHED UNDER THE NEW SHIELDS.**

4. Reinstall the motor cover being careful to not pinch any wires.

## C. Replacing the control board (Figure 2).

1. Disconnect all the wire harness plugged into the control board.

2. Using the 1/4 inch nut driver remove the nut at the top of the board that fastens the heat sink to the mounting bracket. Do not remove the heat sink from the board.
  3. Remove the 8 screws that hold the control board to the mounting bracket.
  4. Remove the old control board and save it for return to Dixie-Narco.
  5. Install the new control board to the mounting bracket using the screws and the nut removed in Steps 2 and 3.
  6. Reconnect all the wire harness removed in Step # 1 EXCEPT the door closed switch harness and the controller coin mech harness (this is the harness from the 12 Pin Jones Plug).
- D. Replacing the controller changer Jones Plug.**
1. Remove and discard the existing 12 Pin Jones Plug and harness.
  2. Mount the 15 Pin Jones Plug included in the kit where the 12 Pin Jones Plug was.
  3. Route the Jones Plug harness to the MPC Control Board the way the 12 pin harness was routed and plug it into the control board.
- E. Replacing the door closed switch (Figure 3).**
1. Find and remove the door closed switch.
  2. Disconnect the high voltage harness from the switch.
  3. Discard the existing switch and low voltage harness.
  4. Reroute the high voltage harness as shown in Figure 3.
  5. Remove and discard the control panel strap.
  6. Install the support bar and door closed switch from the kit where the control panel strap was.
  7. Plug the low voltage harness onto the gold terminals (common and normally closed) of the door closed switch.
  8. Route the low voltage harness to the control board and plug the harness into the door switch header on the MPC Control Board.
  9. Plug the hi voltage harness onto the silver terminals (common and normally closed) of the door closed switch.
- F. Final.**
1. After peeling off the back of the program instruction label included in the kit stick the label over the existing label on the outside of the inner door.
  2. Reinstall the MPC Control Board cover.
  3. Reinstall the coin changer.
  4. Reapply electrical power to the vender.
  5. Following the new program instructions program the vender for the desired functions and vend prices.
  6. Test the vender with coins and bills to assure proper operation.
  7. Repackage and ship back to Dixie-Narco for credit, the removed MPC Control Board.

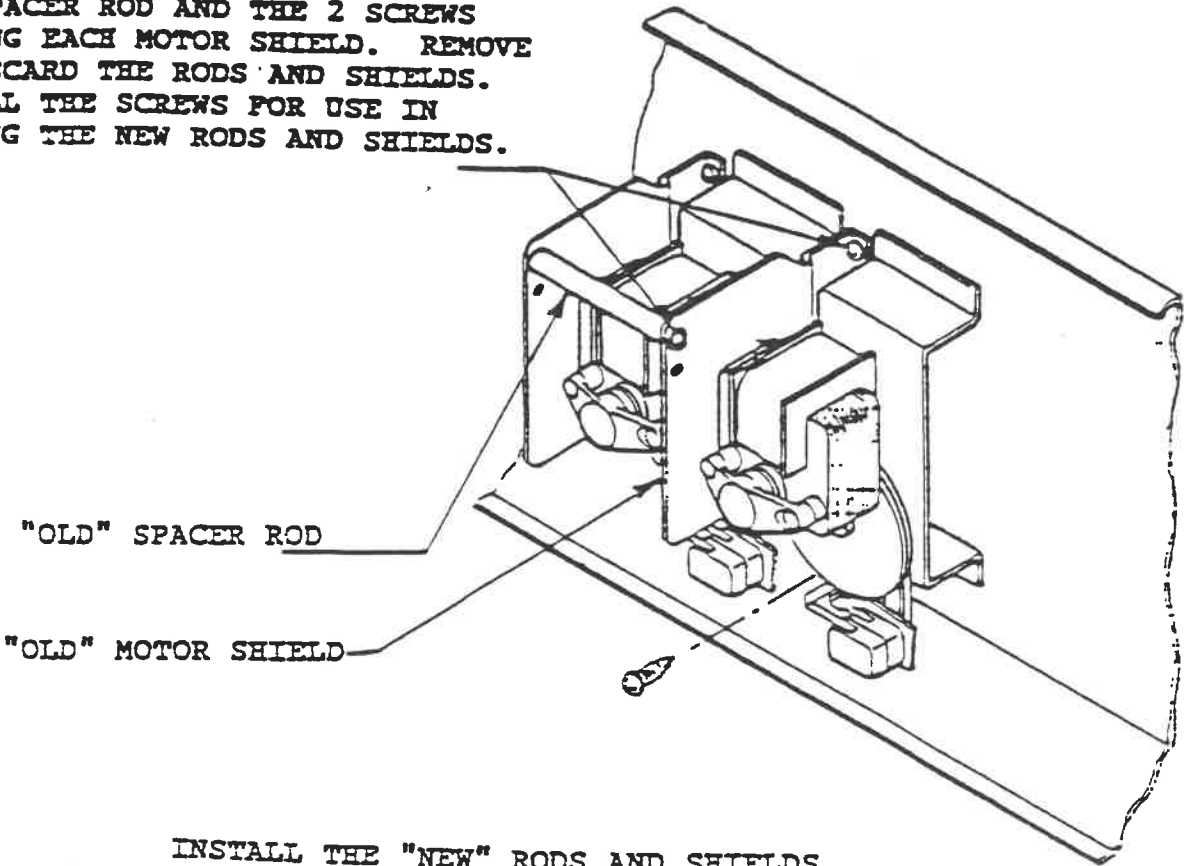
DIXIE-NARCO  
34000 VOKES DRIVE  
EASTLAKE, OH 44095  
216-946-3000

REL. ON E.O.# 18233 25 APR 91 BY: TG CH'D: DB  
REV. ON E.O.# 18539 5 SEP 91 BY: TG CH'D:

PG (3)  
OF (6)

EL# 95X58  
VP# BM530,050,400,14

REMOVE THE 2 SCREWS SECURING EACH SPACER ROD AND THE 2 SCREWS SECURING EACH MOTOR SHIELD. REMOVE AND DISCARD THE RODS AND SHIELDS. SAVE ALL THE SCREWS FOR USE IN SECURING THE NEW RODS AND SHIELDS.



INSTALL THE "NEW" RODS AND SHIELDS RE-USING THE SCREWS SAVED FROM ABOVE.

NOTE:

INSTALL THE TOP SCREW OF THE SHIELD FIRST FOR EASE OF ASSEMBLY.

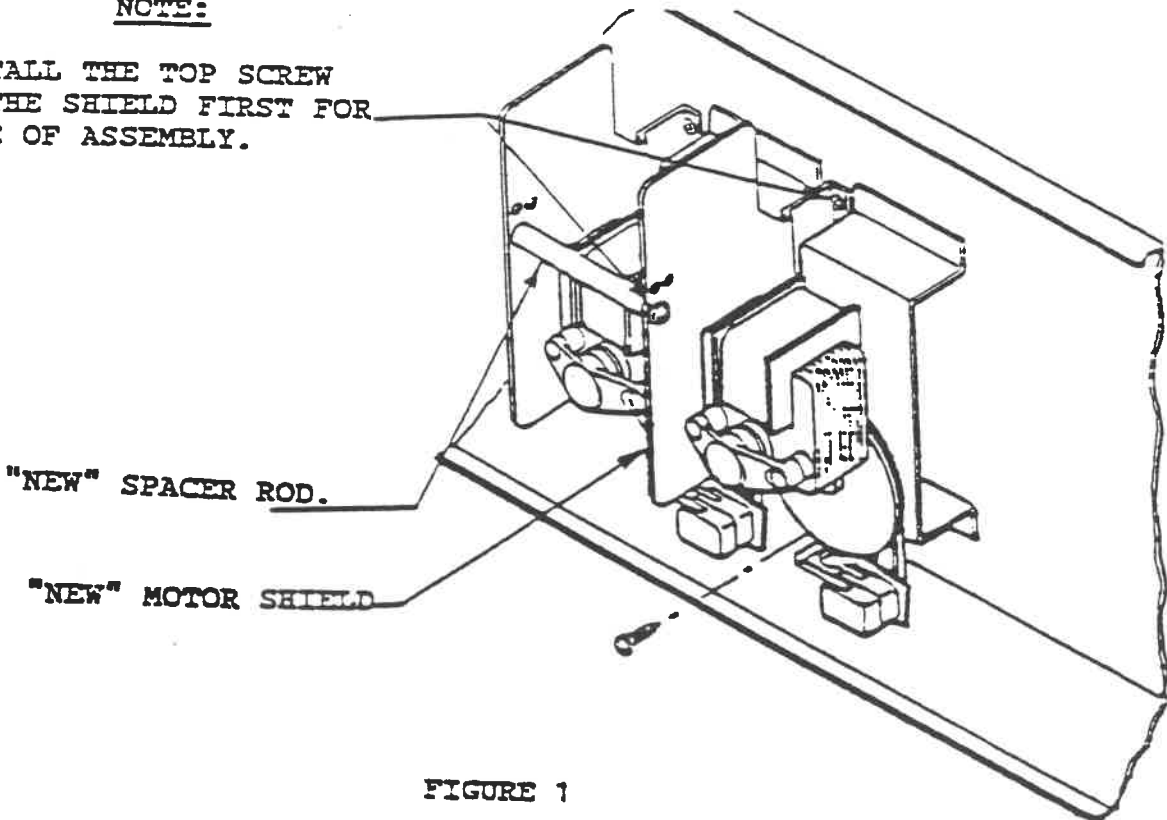


FIGURE 1

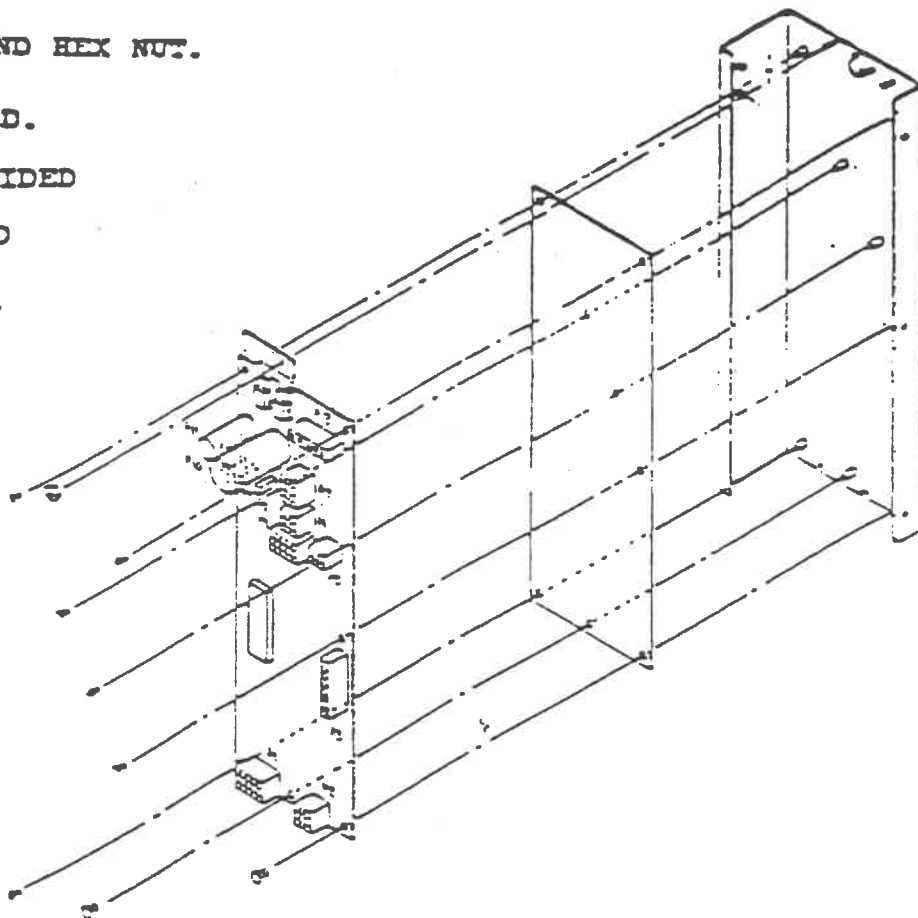
REMOVE THE 8 SCREWS AND HEX NUT.

REPLACE THE OLD P.C. BD.

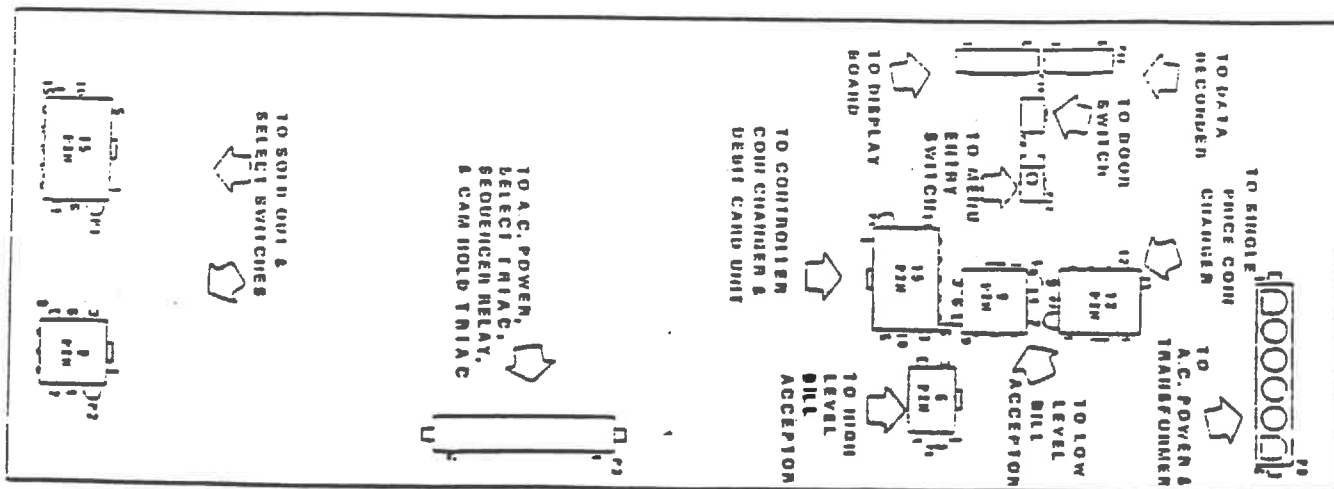
WITH THE P.C. BC. PROVIDED

USING THE 8 SCREWS AND

HEX NUT REMOVED ABOVE.

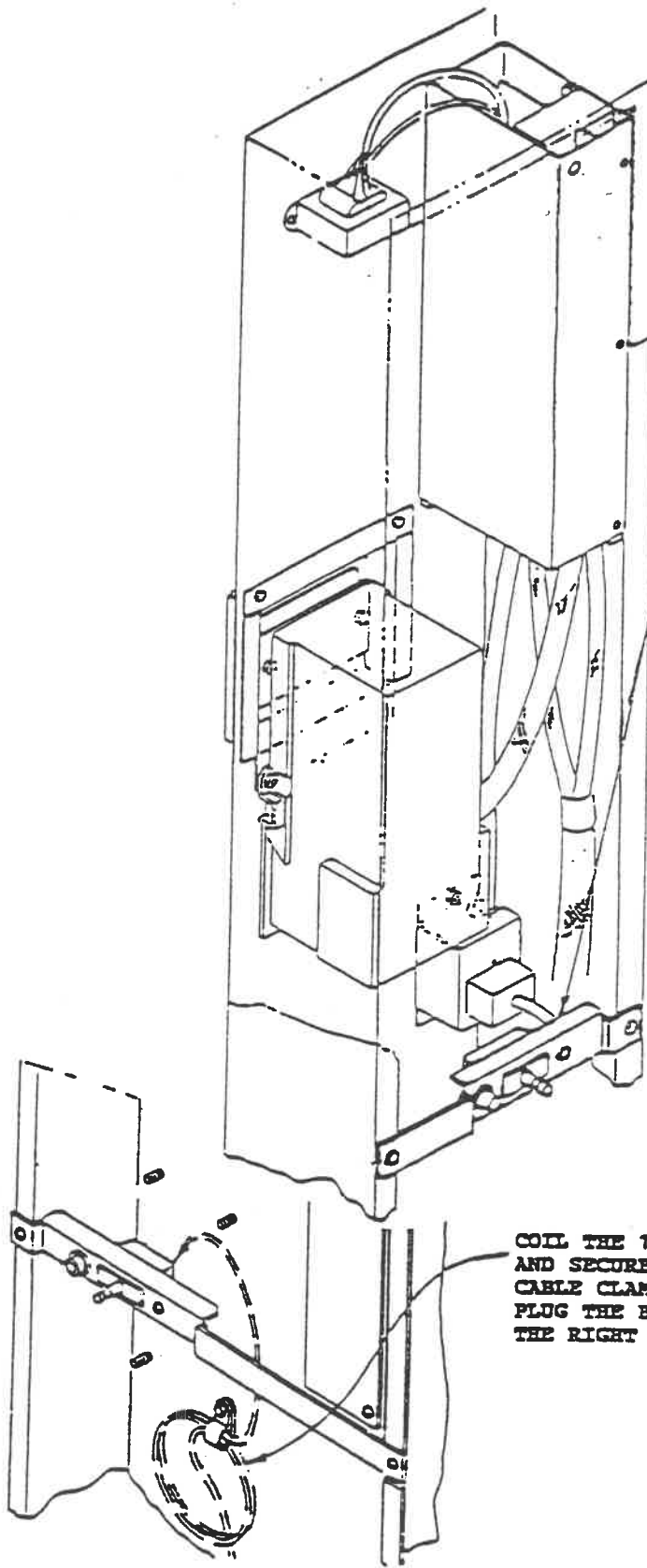


THE PROGRAM SWITCH MOUNTING BRACKET IS NOT SHOWN FOR ILLUSTRATION PURPOSES.



MPC BOARD  
 PLUG LAYOUT

FIGURE 2

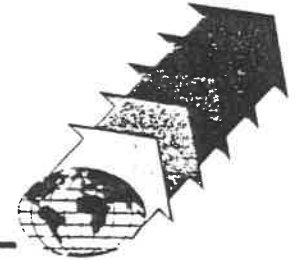


REMOVE THE DOOR CLOSED SWITCH. DISCONNECT THE HI VOLTAGE HARNESS AND ROUTE PER THIS FIGURE. DISCARD THE REMOVED SWITCH AND LOW VOLTAGE HARNESS.

AFTER REMOVING THE CONTROL PANEL STRAP, INSTALL THE SUPPORT BAR AND SWITCH ASS'Y AS SHOWN.

COIL THE 110 V. HARNESS AND SECURE IT WITH THE CABLE CLAMP AS SHOWN. PLUG THE HARNESS ONTO THE RIGHT SIDE OF THE SWITCH.

FIGURE 3

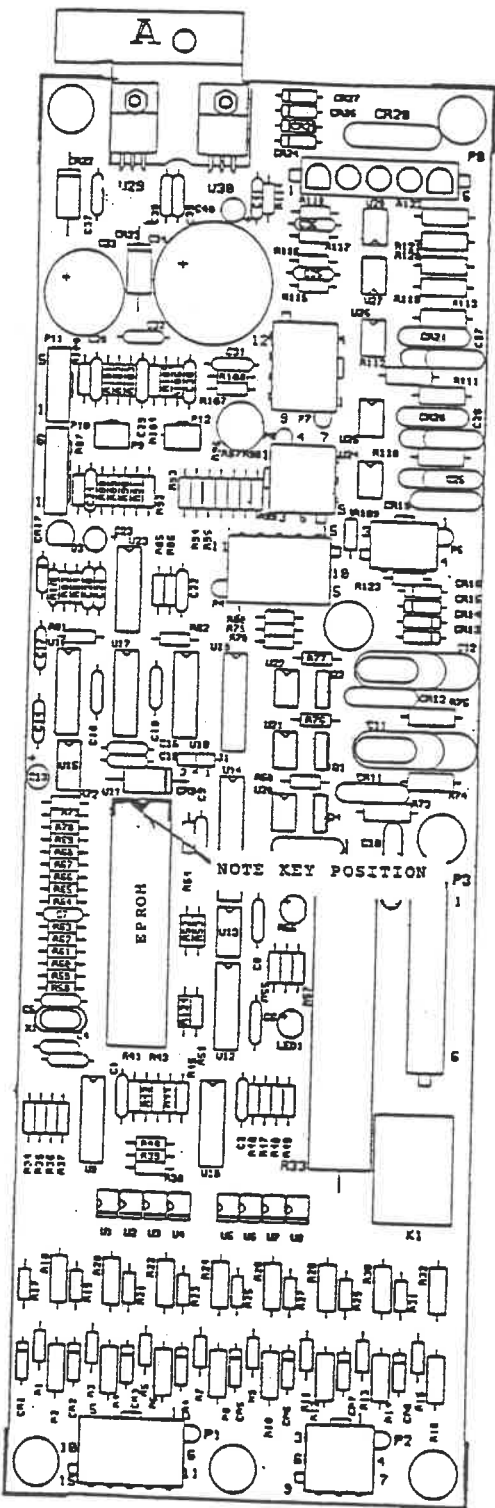


TOMORROW'S  
MANUFACTURING  
LEADERSHIP  
TODAY

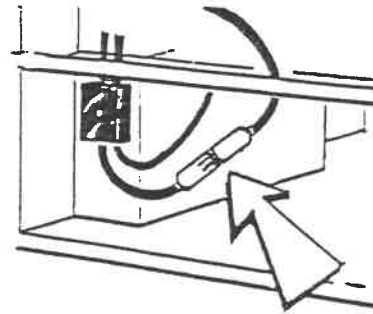
## INSTRUCTIONS FOR CHANGING THE EPROM

### MPC VENDERS

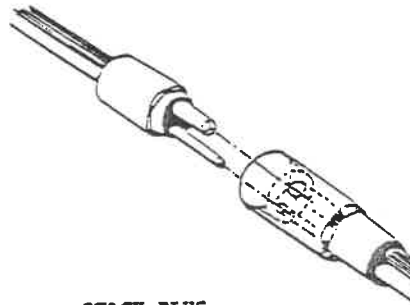
1. Remove the power to the door by either unplugging the vender or disconnecting the stack plug located in the lower left hand side of the cabinet. The door power is removed when the lights go off.
2. Remove the cover from the MPC control board assembly.
3. Locate the EPROM and gently pry it out of its socket using a small flat blade screwdriver. **INSERT THE SCREWDRIVER BETWEEN THE EPROM AND ITS SOCKET.**
4. Install the new EPROM in the socket.
  - A. Note the EPROM key position and make sure the replacement EPROM is in the proper position.
  - B. Assure that the EPROM is aligned properly.
  - C. Insert 1 side of the EPROM in its socket and then insert the other side.
  - D. Visually inspect the EPROM to ensure that all the pins are in the socket and not folded over, under, or between the EPROM and the socket.
5. Reinstall the control board cover.
6. Reconnect the door power.
7. Check the vender program and test vend the machine with coins/bills to confirm proper operation.



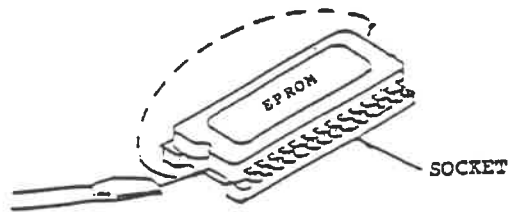
CONTROL BOARD



INSIDE CABINET LOWER LEFT  
STACK PLUG



STACK PLUG  
LOWER LEFT OF VENDER



SOCKET